

SELECTRONIC PREMIER THERMOSTATIC SHOWER RANGE CHANGES

OLD STANDARD MODELS (S)

- 455mm light aluminium riser rail
- 2-point fix brackets (not reinforced)
- 1.25metre shower hose

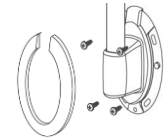
53677501	SELP85S
53678501	SELP95S
53679501	SELP108S



NEW STANDARD MODELS (S)

- 540mm stainless steel riser rail
- 4-point fix brackets (not reinforced)
- 1.25metre shower hose
- Wider 5-mode showerhead
- Lipped grey soapdish

100054	RSELP85S
100061	RSELP95S
100078	RSELP108S



OLD PLUS MODELS (P)

- 1-metre (longer) aluminium riser rail
- 4-point fix (not reinforced) brackets
- 2-metre shower hose

53677505	SELP85P
53678505	SELP95P
53679505	SELP108P

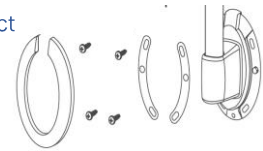


NEW PLUS MODELS (P)

- 1-metre (longer) stainless steel riser grabrail*
- 4-point fix metal plate reinforced brackets*
- 2-metre shower hose
- Wider 5-mode showerhead
- Lipped grey soapdish

100085	RSELP85P
100092	RSELP95P
100108	RSELP108P

(*Up to 250kg load, subject to wall material strength and use of suitable wall fixings by the installer)



OLD REMOTE MODELS (PR) – a PLUS model shower complete with a start/stop remote control (shower included)

53677510	SELP85PR
53678510	SELP95PR
53679510	SELP108PR



NEW REMOTE CONTROL ACCESSORY KIT – a start/stop remote control unit supplied with PCB (shower not included)

100139 RSSSRC

May be retro-fitted to any of the new Selectronic Premier showers by a qualified installer



OLD LAP MODELS – a PLUS shower supplied complete with a waste drain PUMP and kit (all included)

53677590	SELP85LAP
53678590	SELP95LAP



[We still have good stock of the current LAP models for sale, however when these are cleared later this year we will no longer sell waste pumps, either as a part of a complete shower package or as an accessory.](#)

[The new WPC models will be able to automatically activate most popular waste drain pumps.](#)

NEW WPC MODELS - a PLUS shower complete with a RF module offering wired and wireless connection options to most popular waste drain pumps

OLD WP MODELS - a PLUS shower with wired Whale Pump connectivity (no pump included)

53677515	SELP85WP
53678515	SELP95WP



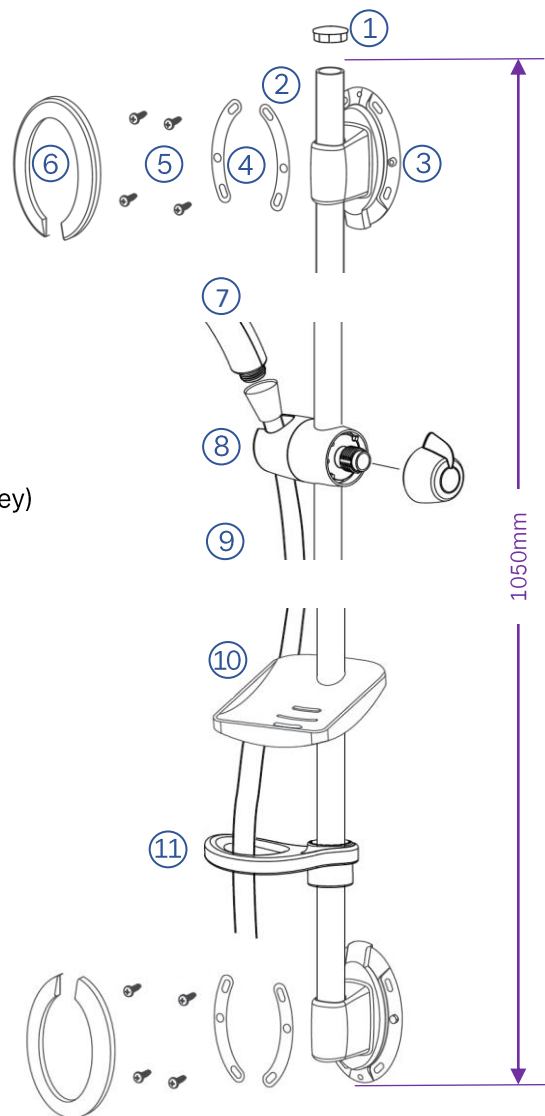
100115	RSELP85WPC
100122	RSELP95WPC



(SEE NEXT PAGE FOR NEW GRAB RAIL CARE ACCESSORY KIT)

CARE SHOWER GRAB RAIL DUTY ACCESSORY KIT

- ① Riser rail chrome end cap
- ② 1 metre stainless steel grab duty riser rail
- ③ 4-point fixing wall bracket (white)
- ④ Steel strengthening wall fixing plates
- ⑤ 4 screws (to be upgraded to suit the wall material and wall fixings by the installer)
- ⑥ Wall bracket cover plate (white)
- ⑦ 5 spray-mode rub clean shower head
- ⑧ Adjustable slide and tilt handset clamp (white & grey)
- ⑨ 2 metre anti-kink flexible chrome shower hose
- ⑩ Lipped soap dish (grey)
- ⑪ Shower hose retaining ring (white)



Model	CCP5GR
Item Code	100719
Shower Spray Modes	5
Shower Hose Length (mm)	2000
Riser Rail Length (mm)	1000
Riser Rail Diameter (mm)	22
Rail Wall Projection (mm)	65
Rail Weight (grams)	978
Grab Rail Load (kg)	250*

(*Up to 250kg load, subject to wall material strength and use of suitable wall fixings by the installer)

New Range Replacement Spare Parts

Part No.:	Description:	Part No.:	Description:
93550896	1.25-metre long chrome hose (STD)	93550897	2-metre long chrome hose (PLUS)
SP01/100137/0	540mm (22mm) s/steel riser rail (STD)	SP01/100126/0 **	1-metre grab rail duty s/steel riser rail (PLUS)
SP04/70062/0	Wall bracket set (STANDARD models)	SP03/70044/0	Wall bracket set reinforced (PLUS models)
SP01/100124/0	5-mode shower handset (white/grey)	SP03/70063/0	Height adjuster assembly (white/grey)
SP04/70046/0	Front cover assembly complete	93594144	Inlet filter housing complete
SP01/100114/0	Backplate trimplate	SP01/100111/0	Backplate side section
93594150	Backplate rubber seal set	SP03/70055/0	Solenoid valve (c/w seals)
93594104	Flow valve assembly (No outlet)	93594105	Valve stepper motor
93594117	Flow transducer	93594139	Thermal cut-out (c/w cables)
93594140	Outlet connector (c/w temp. sensor)	93594102	Triac PCB
SP01/100119/0	Main logic board (3 elements, 8.5/9.5kW)	SP01/100125/0	Main logic board (4 elements, 10.8kW)



**PLEASE NOTE: This heavy duty riser grab rail must only be installed with the new reinforced wall bracket set. The wall fixings should also be upgraded by the installer to hold the rail weight and suit the wall material. We recommend that the fitting of all replacement shower parts should be carried out by a qualified installer.