

URN1 Manual fill 10 Litre Boiling Water Urn

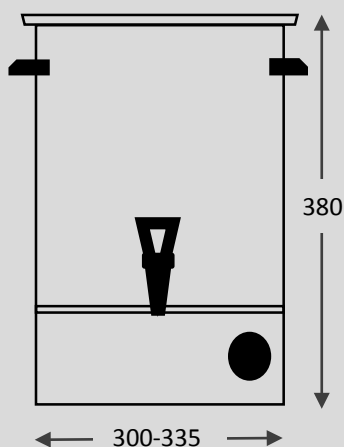
Simple to use and easily portable. A 10 litre capacity catering grade stainless steel Urn ideal for general catering use at parties and occasional outdoor events, as well as semi-permanent use in constructions sites, at community centres or in temporary work offices.

- Manual-fill and top-up as required for up to 40 x 250ml mugs
- Initial heat up 25 minutes to 97°C from full
- Six setting thermostatic control from 37°C to 97°C with 'Heat On' neon indicator
- 3kW concealed heating element with safety overheat thermal cut-out protection
- Locking tap position - either push and hold or constant flow to fill
- Robust, easy clean stainless steel construction for minimal maintenance
- Low weight and carry handles for easy location, transportation and storage
- Twist-lock safety lid with a flush seal prevents steam escape



Cat. No.	Short Code	Description	EAN	TRADE PRICE
22715101	URN1S	10Ltr Boiling Water Urn	5017084225118	£147.22

Dimensions (mm)



Specification:

Capacity: 10 Litres

Power: 3kW@240V with fitted cable and UK 13amp plug

Product weight: 3kg (empty)

3.8kg (packaged)

Packaging Dims: 345 x 345 x 405mm