

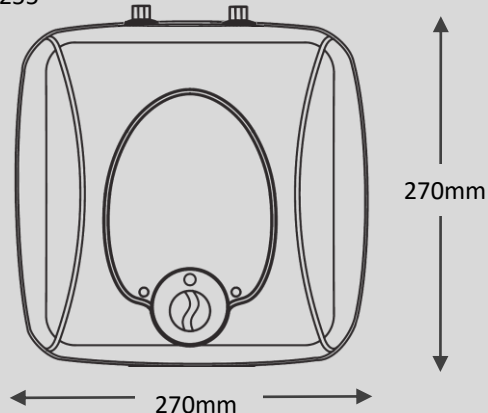
MS6 MINI STORED WATER HEATER



C

Dimensions:

Depth: 255



A compact under sink unvented storage water heater ideal for a single wash basin in bathrooms, kitchens and utility rooms.

Key Features

- Compact 6 litre capacity unit, ideal for single outlets
- 1.5kW heating element for rapid heat up and recovery
- Thermostatic control up to 65°C with thermal cut-out safety protection
- Heating element 'ON' neon indicator
- Rustproof, erosion free glass-lined tank for long-life and higher energy efficiency
- High density thermal CFC-free polyurethane insulation to minimise heat loss
- ½" BSP male inlet and outlet connections
- 1-metre fitted cable and UK Plug
- Supplied with accompanying pressure relief valve, dielectric connectors, mounting bracket and wall fixings

Technical Details

Model	MS6
Item Code	47789701
EAN /Bar Code No.	5017084479719
Output (kW)	1.5
Current Rating (Amps)	6.5
Energy Rating (Class)	C
Energy Rating (%)	32.5
Consumption (kWh/A)	567
Load Profile	XXS
Sound (dB)	15
Maximum inlet pressure (BAR)	6
Thermostatic Control (°C)	65
Product Weight, empty (Kg)	4.7
IP Rating	IPX4
Approvals / Mark	CE
UK Warranty (years)	1

Product Range

Item Code:	Model:	Description	kW
47789701	MS6	6-litre stored water heater	2